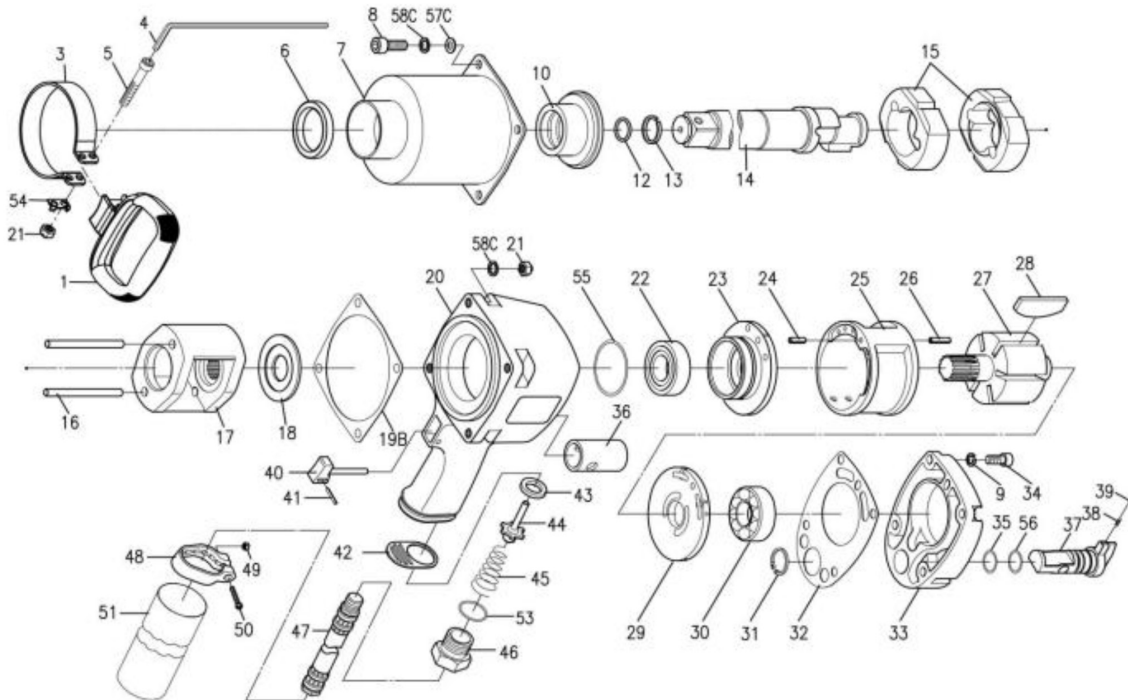


APT265 - 1" Pistol Impact Wrench



Ref	PCL Part No	Description	Qty
1	APS265/1	Handle	1
3	APS265/3	Clamper	1
4	APS265/4	Hex wrench (6mm)	1
5	APS265/5	Cap screw	1
6	APS265/6	Oil seal	1
7	APS265/7	Hammer case	1
8	APS265/8	Cap screw	4
9	APS265/9	Spring washer	4
10	APS265/10	Anvil bushing	1
12	APS265/12	O-ring	1
13	APS265/ACR	Anvil collar	1
14A	APS265/14A	2" anvil	1
14B	APS265/14B	8" anvil	1
15	APS265/15	Hammer	2
16	APS265/16	Hammer pin	2
17	APS265/17	Hammer cage	1
18	APS265/18	Rear washer	1
19B	APS265/FGT	Front gasket	1
20	APS265/20	Motor housing	1
21	APS265/21	Lock nut	6
22	APS265/22	Ball bearing	1
23	APS265/23	Front end plate	1
24	APS265/24	Spring pin	1
25	APS265/25	Cylinder	1
26	APS265/26	Spring pin	1
27	APS265/27	Rotor	1
28	APS265/28	Rotor blades	6
29	APS265/29	Rear end plate	1
30	APS265/30	Ball bearing	1
31	APS265/31	Snap ring	1

Ref	PCL Part No	Description	Qty
32	APS265/32	Rear gasket	1
33	APS265/33	Rear cover	1
34	APS265/34	Cap screw	4
35	APS265/35	O-ring	2
36	APS265/36	Valve sleeve	1
37	APS265/37	Reverse valve	1
38	APS265/38	Spring	1
39	APS265/39	Steel ball	1
40	APS265/40	Trigger	1
41	APS265/41	Spring pin	1
42	APS265/42	Exhaust deflector	1
43	APS265/43	Bushing	1
44	APS265/44	Valve stem	1
45	APS265/45	Spring	1
46A	APS265/46A	Air inlet (1/2" PF)	1
46B	APS265/46B	Air inlet (1/2" PT)	1
46C	APS265/46C	Air inlet (1/2" NPT)	1
47A	APS265/47A	Lead hose (1/2" PF)	1
47B	APS265/47B	Lead hose (1/2" PT)	1
47C	APS265/47C	Lead hose (1/2" NPT)	1
48	APS265/48	Hose clamper	1
49	APS265/49	Hex nut	1
50	APS265/50	Round head screw	1
51	APS265/51	Exhaust hose	1
53	APS265/53	O-ring	1
54	APS265/54	Stopper	1
55	APS265/55	O-ring	1
56	APS265/56	O-ring	1
57C	APS265/57C	Washer	4
58C	APS265/58C	Spring washer	8